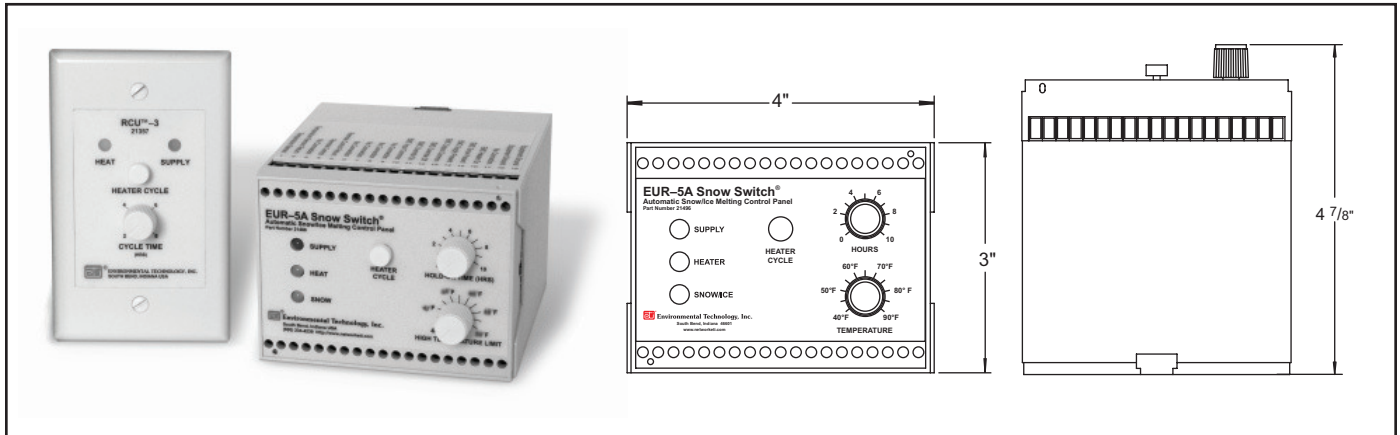




We Manage Heat®

FEATURES & BENEFITS

- Multiple sensor capability
- Remote control included
- Building and energy management computer interface
- Adjustable heater hold-on timer
- Local and remote heater cycle switches
- High temperature limit thermostat
- NEC Class II operation
- 35 mm DIN rail mounting
- Energy efficient automatic operation
- Wide range of applications
- Electric panel location



DESCRIPTION

The EUR-5A brings the performance, economy and energy efficiency of the industry leading APS-3C to a wide range of commercial snow melting applications requiring electrical panel location. A rich assortment of features optimize EUR-5A performance for its intended applications and environment.

The EUR-5A interfaces multiple sensors from the CIT-1, GIT-1, SIT-6E family for flexibility in a wide range of pavement, gutter and downspout deicing applications. This feature is essential for large systems employing common heater switching.

Continuing heater operation after snow stops is often necessary to ensure complete melting. The EUR-5A provides an adjustable 10 hour hold-on timer for this purpose. Blowing, drifting and tracked snow sometimes occur without

contacting a sensor. In this case, heaters can be manually toggled on for the hold-on time.

The EUR-5A includes an RCU-3 Remote Control to be placed at a location convenient for personnel to observe melting. It provides status indicators, a calibrated hold-on timer adjustment and a heater toggle switch. So, melting can be manually initiated should the need arise.

The EUR-5A interfaces with a low voltage push-button switch, supplied by customer, that toggles the heaters for the hold-on time. When mounted on the front panel of the electrical enclosure, this feature eliminates the need to open the panel, which promotes safety.

Energy and building management computers are becoming increasingly common. The EUR-5A accommodates this trend through an interface designed

for this purpose. In addition to system status information, the interface permits remote overriding automatic operation to turn the heaters on or off upon command.

The 40° to 90°F (4° to 32°C) adjustable high temperature limit protects heaters, asphalt, pavement and other sensitive materials from damage due to excessive temperature. The standard temperature sensor is included.

The EUR-5A and its sensors are 24 VAC NEC class 2 devices for easy installation and safety. The EUR-5A allows for 35 mm DIN rail mounting in electrical enclosures. The SPDT Class 2 1 AMP 24 VAC relay contact controls the heater control contactors. A 120:24 VAC control transformer is included.

SPECIFICATIONS

Front Panel Interface

Status Indicators	Supply (green LED) Snow/Ice (yellow LED) Heat (yellow LED)
Heater Cycle Switch	
Hold-on Time Adjustment	0 to 10 hours
Temperature Limit Adjustment	40° to 90°F (4° to 32°C)

Sensor Interfaces

Moisture/Temperature Sensors	Up to six can be used simultaneously Members of the CIT-1/GIT-1/SIT-6E family in any combination Locate up to 2,000' (609.6m) from EUR-5A
Temperature Sensor	ETI Part Number 19272 (included) Locate up to 2,000' (609.6m) from EUR-5A

Remote Interfaces

RCU-3 Remote Control Unit (included)	
User interface:	Heater Cycle Switch SUPPLY and HEAT LED indicators 2, 4, 6 or 8 hour hold-on time adjustment
Installation	Mounts in a single gang wall box up to 500' (152.4m) away from control panel on non-polar electrical connections using 2 wires
Building/Energy Management Computers	
Input interface:	Floating switch contact rated at 5 VDC at 10 mA
Functions:	OVERRIDE_ON: Operates heaters continuously independent of environmental conditions. Operation is inhibited at temperatures above the high temperature limit. OVERRIDE_OFF: Inhibits heater operation.
Output Interface:	Normally open floating dry circuit Form A (SPST) switch contacts rated for 5 VDC at 10 mA
Status Indicators:	SUPPLY: EUR-5A power present SNOW/ICE: At least one sensor detects icing conditions HEAT: EUR-5A is calling for heater operation
Electric Panel	Normally open Form A (SPST) push button low current switch Operation toggles heaters on for the hold-on time or off

Heater Control Relay

	SPDT relay contact rated for 1 AMP 24 volt pilot duty service Operates while the EUR-5A calls for heat
--	---

Supply Voltage

	Use ETI Order Number 14257 Control Transformer (included)
	NEC Class 2
	21 to 28 VAC
	2 VA maximum

Environmental

Operating temperature	-40°F to 140°F (-40°C to 60°C)
Storage temperature	-67°F to 167°F (-55°C to 75°C)

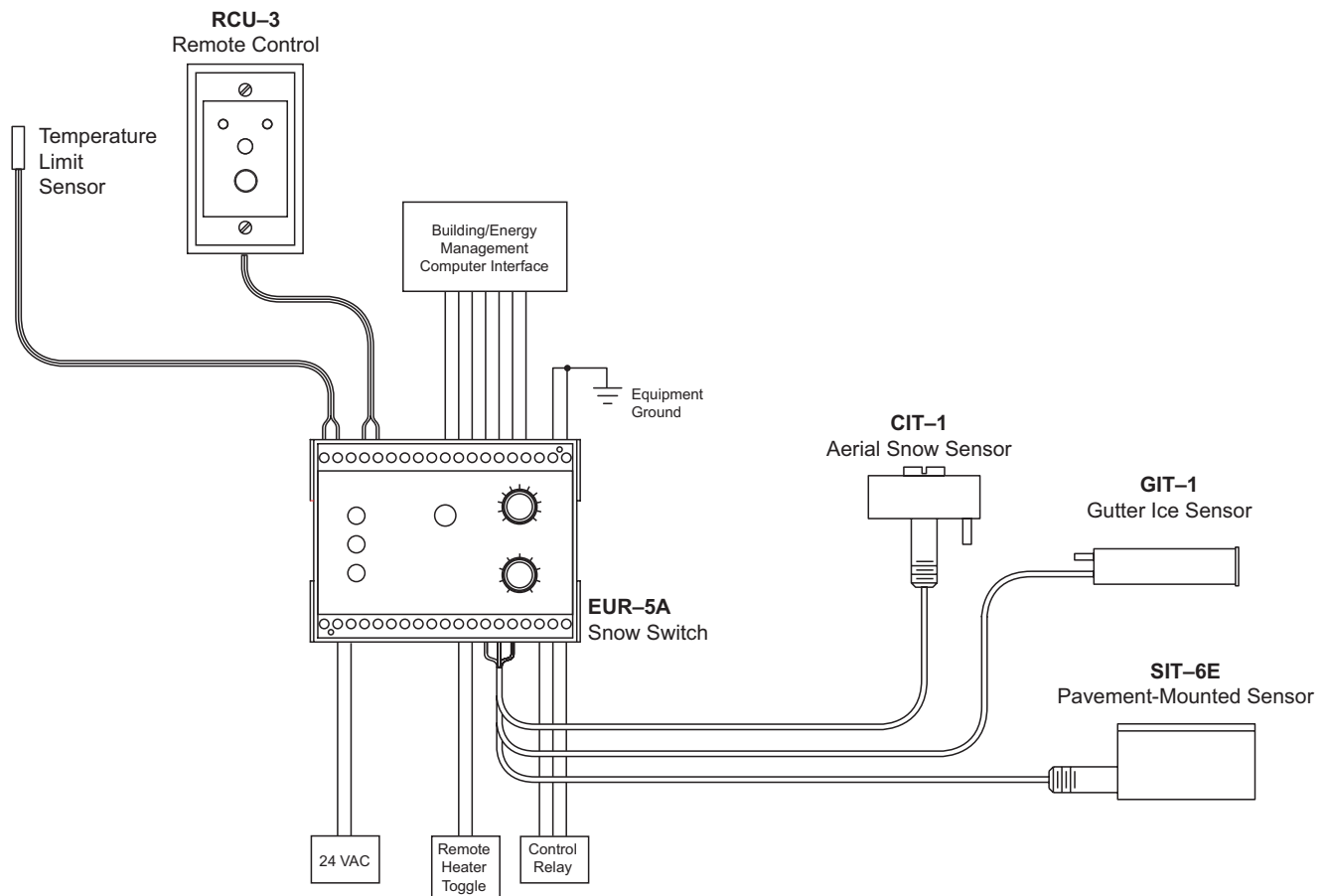
Mechanical

Housing	NEMA 1
Mounting	On 35 mm DIN rail
Dimensions	4" wide by 4 7/8" deep by 3" high DIN rail interface can be removed for conventional mounting

ORDERING INFORMATION

Order Number	Description
21496	Model EUR-5A Snow Switch®
14257	50 VA 120:24 VAC Control Transformer (bulkhead mounting, included)
19272	Temperature Sensor
Accessories (included)	
21357	RCU-3 Remote Control (Qty 1 included)
Snow/Ice Sensors (Not Included)	
10001	CIT-1 Aerial Snow Sensor
11351	GIT-1 Gutter Ice Sensor
20756	SIT-6E Pavement Mounted Snow/Ice Sensor

INSTALLATION



LIMITED WARRANTY

ETI's two year limited warranty covering defects in workmanship and materials applies. Contact Customer Service for complete warranty information.

DISCLAIMER

Environmental Technology, Inc. makes no representations or warranties, either expressed or implied, with respect to the contents of this publication or the products that it describes, and specifically disclaims any implied warranties of merchantability or fitness for any particular purpose. Environmental Technology, Inc. reserves the right to revise this publication, and to make changes and improvements to the products described in this publication, without the obligation of Environmental Technology, Inc. to notify any person or organization of such revisions, changes or improvements.

The ETI logo, Snow Switch, We Manage Heat, APS, CIT, GIT and SIT are registered trademarks of Environmental Technology, Inc. EUR and RCU are trademarks of Environmental Technology, Inc. Copyright © 2008 Environmental Technology, Inc. All rights reserved.