

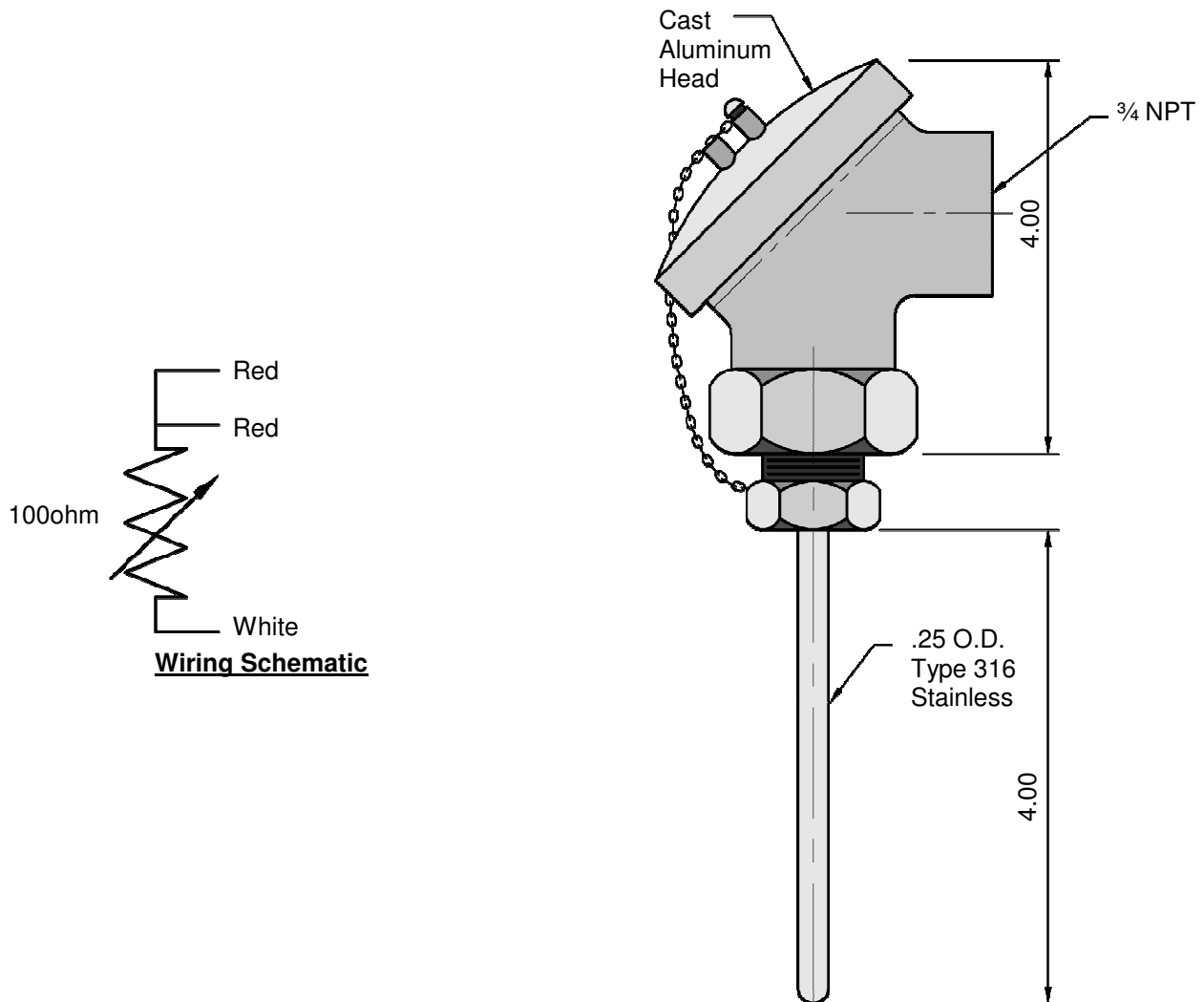
NELSON™ HEAT TRACE

RTD-A TEMPERATURE PROBE

SPECIFICATION / APPLICATION
INSTALLATION

SPECIFICATIONS:

Element: 100 ohm @ 0°C ± .1% platinum RTD
Temperature Coefficient : .00385 Ω/Ω/°C
Accuracy : ±0.3°C @ 0°C
Lead Wire Color Code : 1 White, 2 Red



Approvals:



Ordinary Locations
Hazardous (Classified) Locations
Class I, Division 1, Groups C & D
Class II, Division 2, Groups E, F & G



Ordinary Locations
Hazardous (Classified) Locations
Class I, Division 1, Groups C & D
Class II, Division 2, Groups E, F & G

Nelson Heat Tracing Systems products are supplied with a limited warranty. Complete Terms and Conditions may be found on Nelson's website at www.nelsonheaters.com.