

NELSON HEAT TRACING SYSTEMS PCK CONNECTION KIT

INSTALLATION INSTRUCTIONS

DESCRIPTION

The PCK connection kit is for use with all versions of Nelson Heat Tracing CLT, LT, QLT, HLT and NC heater cables.

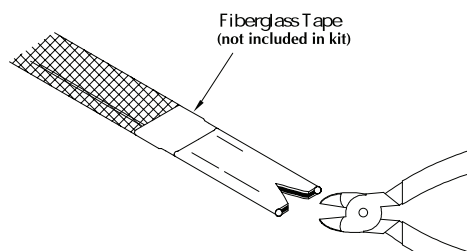
KIT CONTENTS

- 1 LT-ME End Seal
- 1 LT-MP Power Seal
- 1 Silicone Tube-5 oz.

LT-ME END SEAL INSTALLATION

WARNING:

Only end seals specifically approved for the vendor's style and type of heater cable must be used.



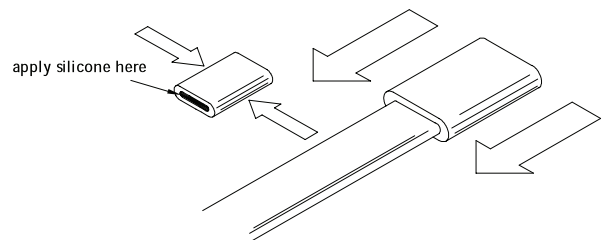
1 For Braided Products:

Cut braid back 25mm (1") & tape in place with fiberglass tape (not included in kit).

For Overjacket Products:

Remove 13mm (0.5") of overjacket exposing the braid, then remove the 13mm (0.5") of exposed braid.

- 2 Make a 10mm (0.4") cut at the end of the heater cable.



- 3 Squeeze the end seal and fill with silicone.
4 Push end seal over the heater cable.

For Overjacket Products:

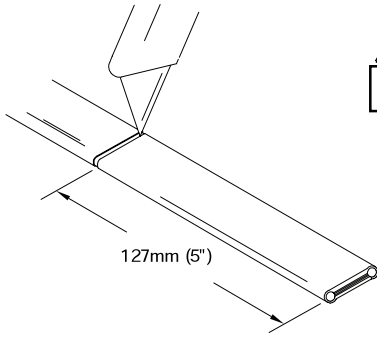
The end seal should overlap the overjacket.

- 5 The silicone will set up in about 30 minutes with a complete cure after 24 hours.

WARNING:

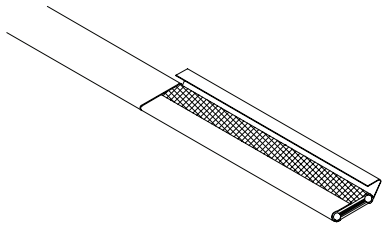
- Do not megger or hi-pot until silicone is completely cured.
- Braid must be kept away from bus wires or shorting will occur.

LT-MP POWER SEAL INSTALLATION (Sheet 1)

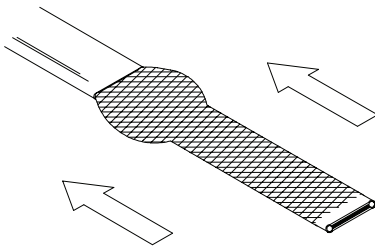


⚠ WARNING:
DO NOT CUT BRAID

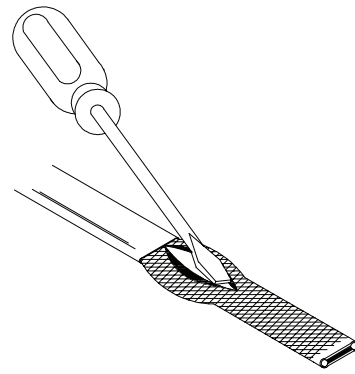
- 1 Lightly cut around heater overjacket 127mm (5") from the end. Bend cable to break the overjacket.
- 2 Lightly cut overjacket up the center between first cut mark and the cable end. Bend cable to break the overjacket.



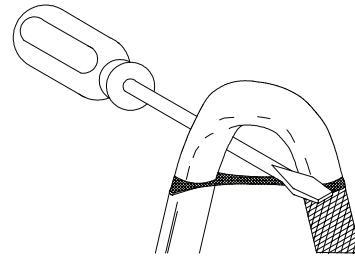
- 3 Remove overjacket from heater cable.



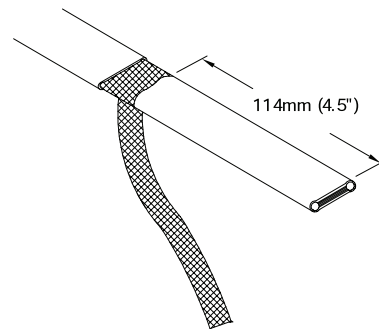
- 4 Move braid back toward the overjacket, creating a bulge.



- 5 At the bulge, separate the braid to make an opening.

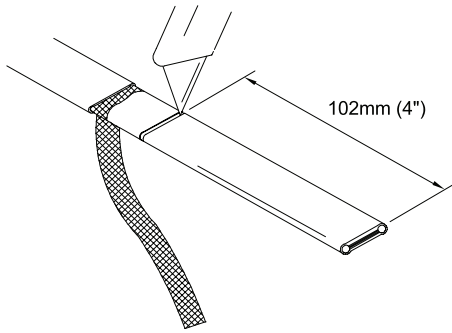


- 6 While bending the heater cable, work it through the braid opening.

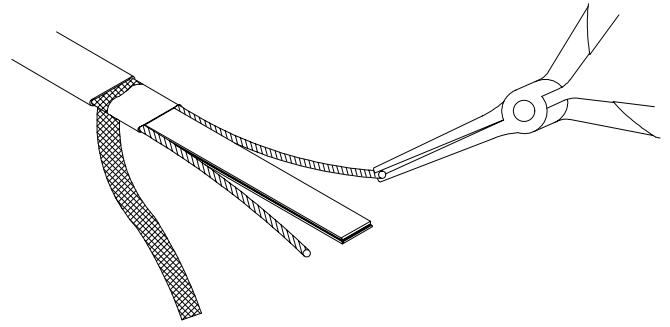


- 7 Pull the braid tight.
- 8 Proceed to LT-MP Power Seal Installation sheet 2.

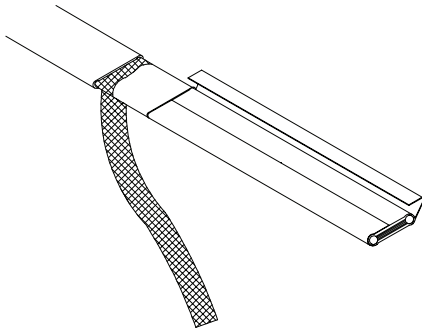
LT-MP POWER SEAL INSTALLATION (Sheet 2)



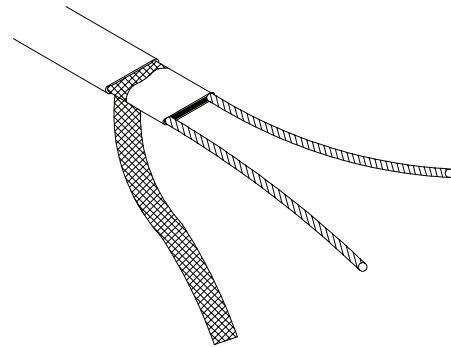
- 1 Lightly cut around cable outer jacket 102mm (4") from the end. Bend cable to break outer jacket.
- 2 Lightly cut the outer jacket up the center between the first cut mark & the cable end. Bend cable to break outer jacket.



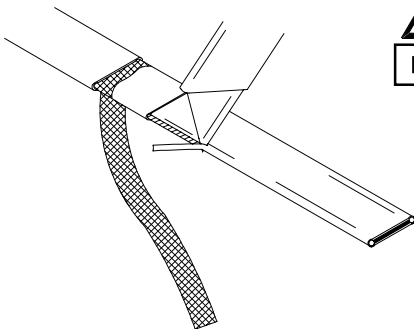
- 5 Starting at the end, pull each bus wire away from the core material.
- 6 Remove exposed core material.



- 3 Remove the jacket from the heater cable.



- 7 Cut 6mm (0.25") off the end of each bus wire.
- 8 Proceed to LT-MP Power Seal Installation sheet 3. "Power Termination"



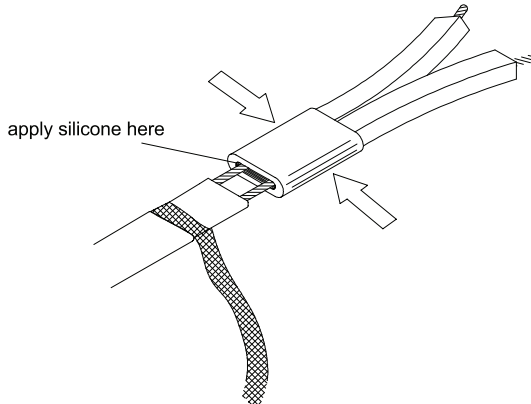
- 4 Shave the core material from the outside of each bus wire.

LT-MP POWER SEAL INSTALLATION (Sheet 3)

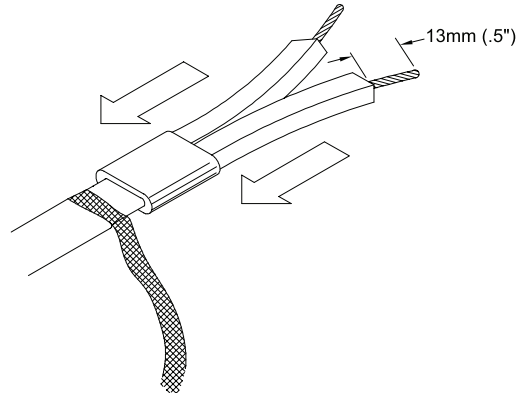
POWER TERMINATION

WARNING:

- Bus wires must not touch or cross while inserting into power termination.
- Only power terminations / end seals specifically approved for the vendors style and type of heater cable must be used.



- 1 Insert bus wires into power termination.
- 2 Squeeze power termination opening and fill with silicone.



- 3 Push power termination to overlap jacket.
- 4 The silicone will set up in about 30 minutes with a complete cure after 24 hours.
- 5 Proceed to "Power Termination" on sheet 8.

WARNING:

- Do not megger or hi-pot until silicone is completely cured.
- Braid must be kept away from bus wires or shorting will occur.